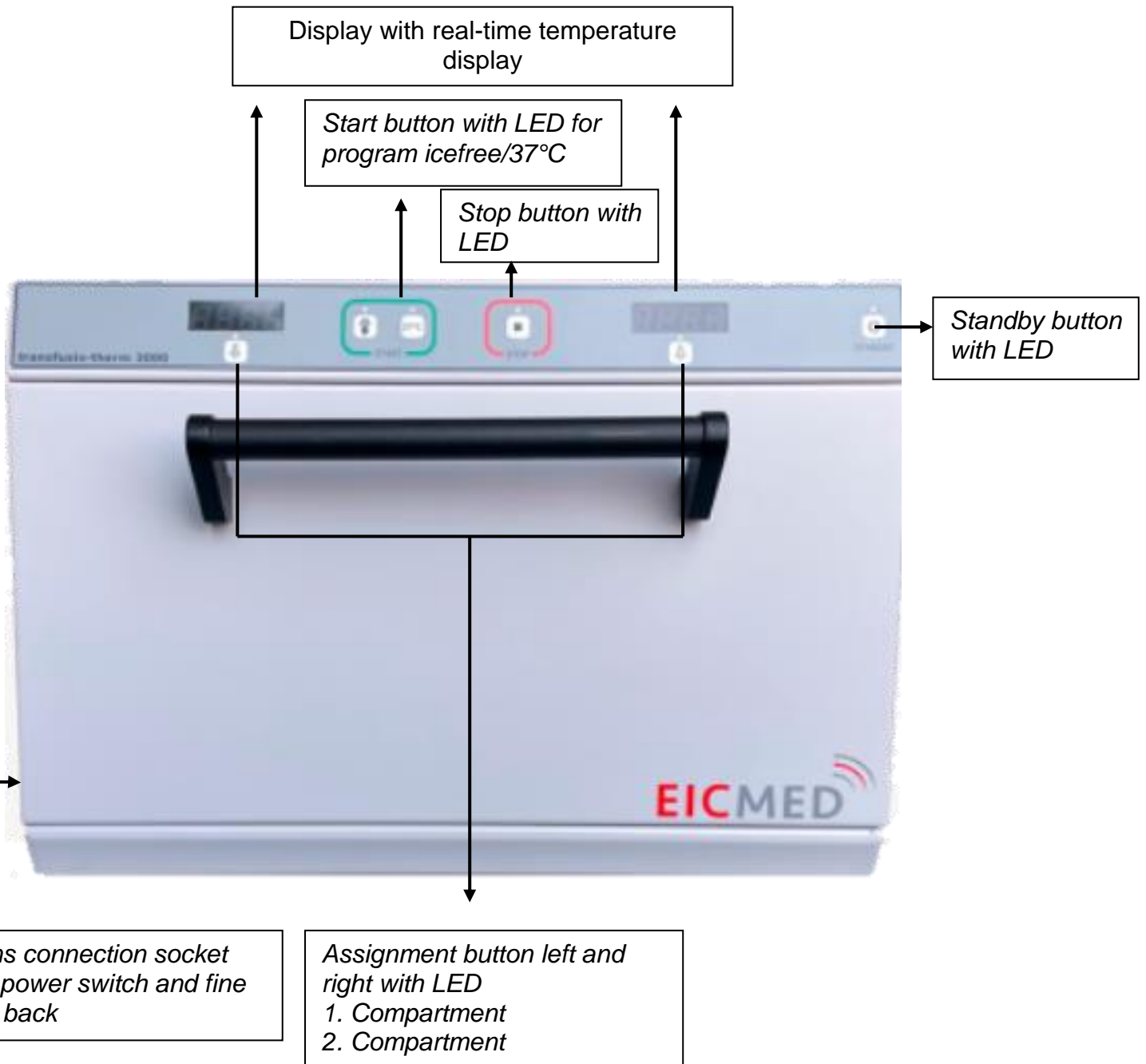


**The Quick Reference Guide must be kept directly on the transfusio-therm 3000 in a clearly visible manner.**

**Be certain to observe the following sequence of operations and suggestions when using it.**

**Overview**



**Start-up and Operation**

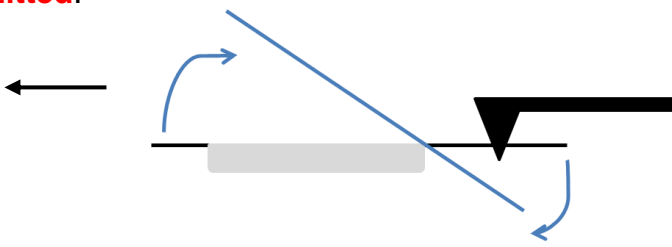
Step	Activity	Display	Reference
Power the device	Operate the power switch		
Turn on the device	Confirm standby	888,8	Selftest- At this point, all safety-relevant systems were tested
Opening the door	Remove tubs	---,-	<b>Check tubs for cleanliness</b>
Insert bag	<b>Free bag from condensation residues</b> , insert according to pictogram (no exposed hose connections)	o.g.	<ul style="list-style-type: none"> <li>• <b>Remove double bags</b></li> <li>• <b>Remove protruding labels</b></li> <li>• <b>Hose and labels, if possible/necessary downwards</b></li> </ul>
Insert the tub, close the door	Insert form-fitting into the drive plate	o.g.	Metal inserts/hose protection directed to the door
Confirming loading	Press the assignment button of the respective recording	Is-Temp.	
Program selection/Start	Press the strat button ice-free/ 37°C (select the programm)	Is-Temp.	
Set temperature reaches compartment 1	Press the compartment 1 assignment button	---,-	<b>Check the bag for damage and temperature.</b> After removing the finished bag and closing the door, the heating of the second bag can be continued by choosing the previous program
Insert more bags	the empty compartment can be immediately occupied again as described above		<b>The target temperature cannot be changed at this point</b>
Turn off the device	Actuate standby button		<b>The back-mounted power switch should only be operated after the machine has cooled down, as visible on the display</b>

**Safety Comments**

<b>Purpose</b>		<p><b>The transfusio-therm 3000 is intended exclusively for thawing and heating commercially available bags with plasma (FFP), whole blood and erythrocyte concentrates (EK).</b></p>
<b>Misuse</b>	<p>Incorrect insertion of the bags can lead to overheating of the bags</p>	<p><b>Operation may only be carried out by trained staff. Please visually check the heated bags for integrity before the transfusion and, if in doubt, check the bag temperature before the transfusion by means of a thermometer.</b></p>
<b>Protective shutdown</b>	<p>The operator is shown the protective shutdown of the device or the corresponding side by a red LED signal lamp and an acoustic signal</p>	<p>Do not reoccupy the blocked side until the self-test is successfully passed again. Remove the bag in the receptacle, check the temperature and destroy it at temperatures above 42°C or visible damage. Reset protection shutdown on power on again. In the event of repeated occurrence of a protective shutdown of this side, the responsible service must be contacted.</p>
<b>Safety shutdown</b>	<p>Disturbance in the overall system of the device, automatic shutdown, red continuous light of the stop button lights up, acoustic continuous tone</p>	<p>Switch off the device at the power switch, remove bag inserted, check the temperature and destroy it at temperatures above 42°C or visible damage. When switched on again, the device remains locked. The power plug must be unplugged and the Technical Service contacted.</p>

**Suggestions for Cleaning and Disinfection**

**The device may only be cleaned when the power plug is unplugged.**

<b>Outside surfaces</b>	Wet cloth and a mild detergent	Do not use any scouring agents or scratching or pointed objects for cleaning.
<b>Sealing surfaces</b>	The four sides of the front face of the housing around the interior and on the inside of the door - Exclusively use a wet cloth and a mild detergent.	Do not turn the appliance on when sealing surfaces or the door are damaged, HF-outlet is possible.
<b>Interior</b>	Exclusively use a wet cloth soaked with a conventional disinfectant approved under applicable medical regulations	<b>No spray disinfection must enter the opening of the temperature sensors located at the top of the interior.</b>
<b>Mixing unit</b>	Remove (consisting of tub, metal insert and drive plate), clean with wet cloth or, if necessary, under running water	<p>Assembly of the mixing unit must be form-fitting, check correct fit by a recess in the drive plate, which is chopped onto the carrier. <b>Operation of the device in case of improper fit of the mixing unit is not permitted.</b></p> 

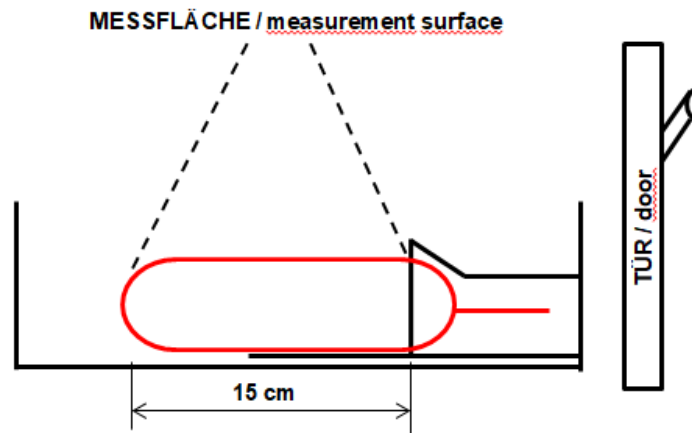
## **BITTE BEACHTEN / ATTENTION PLEASE:**

### **KONSERVE / bag:**

- **DOPPELBEUTEL ENTFERNEN**  
*remove double bag*
- **FORMSCHLÜSSIG AM SCHLAUCHSCHUTZ POSITIONIEREN**  
*position form fitting to the hose protection*
- **MAXIMALE LÄNGE DER KONSERVE AB SCHLAUCHSCHUTZ / maximum length of bag from hose protection: 15 cm**

### **SCHLAUCH / hose:**

- **SCHLAUCH AUF MINIMUM KÜRZEN**  
*shorten hose to minimum*
- **IN DEN SCHLAUCHSCHUTZ**  
*in the hose protection*
- **ODER NACH UNTEN**  
*or downward*



**MAXIMALE KONSERVENLÄNGE (siehe Markierung auf Wannenunterseite)**

*maximum length of bag (please refer marking underside of tub)*

### **AUF DER MESSFLÄCHE / on the measurement surface:**

- **KEINE ABSTEHENDEN ETIKETTEN**  
*remove protruding labels*
- **KEINE SCHLÄUCHE**  
*no hoses*
- **KEIN DOPPELBEUTEL**  
*no double bag*

### **WANNE / tub:**

- **MIT DEM SCHLAUCHSCHUTZ ZUR TÜR POSITIONIEREN**  
*position with the hose protection to the door*